

# UniFor

## Element 02

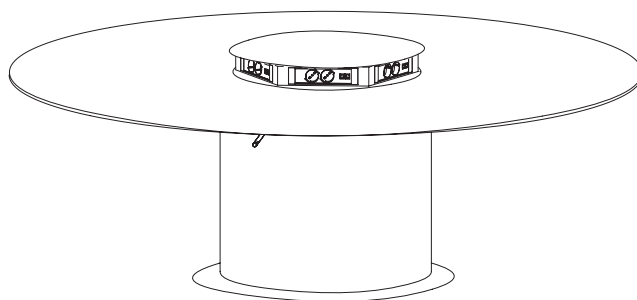
The Element 02 table is designed to interpret the demands of smart working systems by facilitating the temporary activities of nomadic workers, informal gatherings, small workgroups, and task meetings. The large circular top is in extra-clear, back-painted safety glass, or in natural-finish wood.

The table is supported by a center steel column equipped with an electrically-controlled vertical telescopic device in the base, controlled by a handy lever, which allows the table height to be quickly adjusted from 65.5 cm to 124 cm, making it easy to use the table in a variety of ways, seated or standing, individually or as a group. The table top can be fitted with a cable housing tower that sits flush with the worksurface and can be raised as needed to provide every worker with immediate access to power and data connections. A stop mechanism blocks motion of the tower when cables are connected to its outlets.

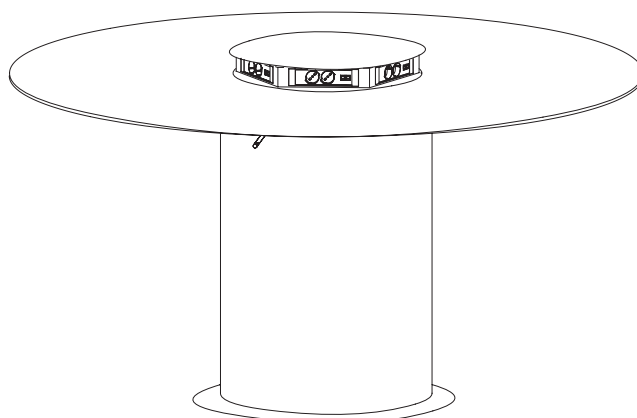


Tables

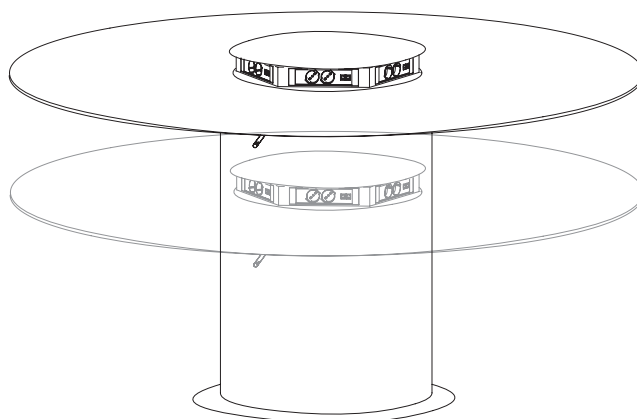
Tables fixed height cm. 74



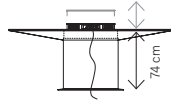
Tables fixed height cm. 110



Height adjustable tables cm. 66-125

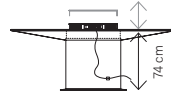


Tables



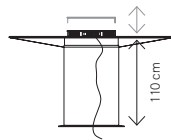
**Tables fixed height cm. 74**

200x200 cm  
V EL 02B PI ..  
Cable passage under the base. Socket kit not included. 220 V Power supply



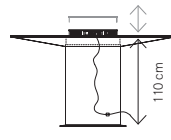
**Tables fixed height cm. 74**

200x200 cm  
V EL 02B LI ..  
Cable passage on side of the base. Socket kit not included. 220 V Power supply



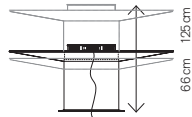
**Tables fixed height cm. 110**

200x200 cm  
V EL 02A PI ..  
Cable passage under the base. Socket kit not included. 220 V Power supply



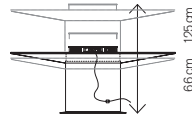
**Tables fixed height cm. 110**

200x200 cm  
V EL 02A LI ..  
Cable passage on side of the base. Socket kit not included. 220 V Power supply



**Electrical height adjustable table from cm. 66 to cm. 125 above the top**

200x200 cm  
V EL 02M PI ..  
Cable passage under the base. Socket kit not included. 220 V Power supply



**Electrical height adjustable table from cm. 66 to cm. 125 above the top**

200x200 cm  
V EL 02M LI ..  
Cable passage on side of the base. Socket kit not included. 220 V Power supply



Electrification

**Electrification 220 V**

58,6x58,6xH6,8 cm  
V EL 02K B00 1 ..  
Kit 6 sockets - 6 UNEL - 6 RJ45 - 6 USB charging, only black

58,6x58,6xH6,8 cm  
V EL 02K B00 2 ..  
Kit 6 sockets - 12 UNEL - 6 USB charging, only black

58,6x58,6xH6,8 cm  
V EL 02K B00 3 ..  
Kit 6 sockets - 6 UNEL - 6 RJ45, only black

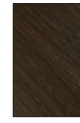
### Table tops finishes



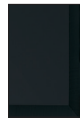
**V4**  
Acid etched  
extra-clear glass  
and back-painted white



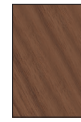
**RV**  
Oak



**5R**  
Thermo-treated  
oak



**N4**  
Acid etched  
extra-clear glass  
and back-painted black



**NK**  
Canaletto walnut  
straight-grained

### Structures finishes



**D7**  
Charcoal dark grey



**C7**  
Calce white



**KS**  
Soft Black

### Electrification of the tower (to be added to the table)

Epoxy powder coating

Kit 6 sockets - 6 UNEL - 6 RJ45 - 6 USB charging

Kit 6 sockets - 12 UNEL - 6 USB charging

Kit 6 sockets - 6 UNEL - 6 RJ45



UniFor has management system certified according to UNI EN ISO 9001 and UNI EN ISO 14001.

The products are in conformance with the Italian decree law DLGS 81:2008 and with all of the principal regulations applicable to the various types of products.

The products described in this catalog are made with class E1 materials (low formaldehyde content) and are Greenguard® certified.