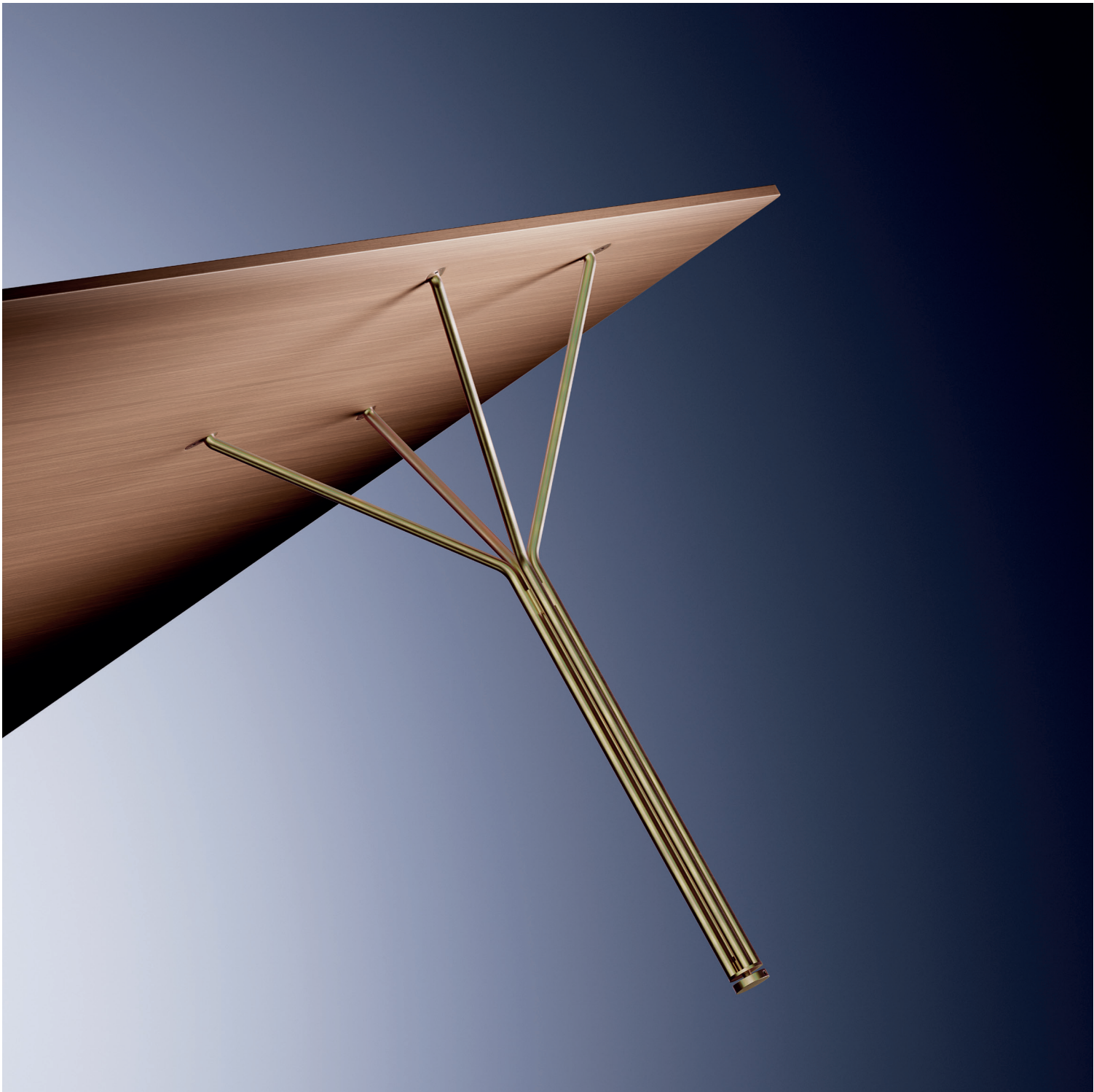


TDS
Technical Data Sheet

Release Date
10 2023



The Y table system is designed using the minimum amount of material necessary to ensure maximum stability and, at the same time, give a great sense of lightness.

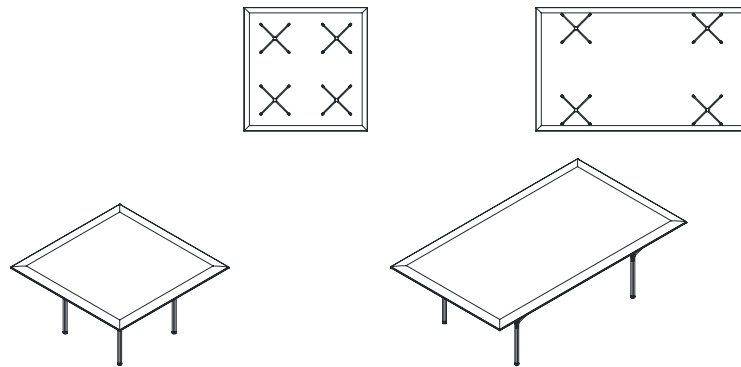
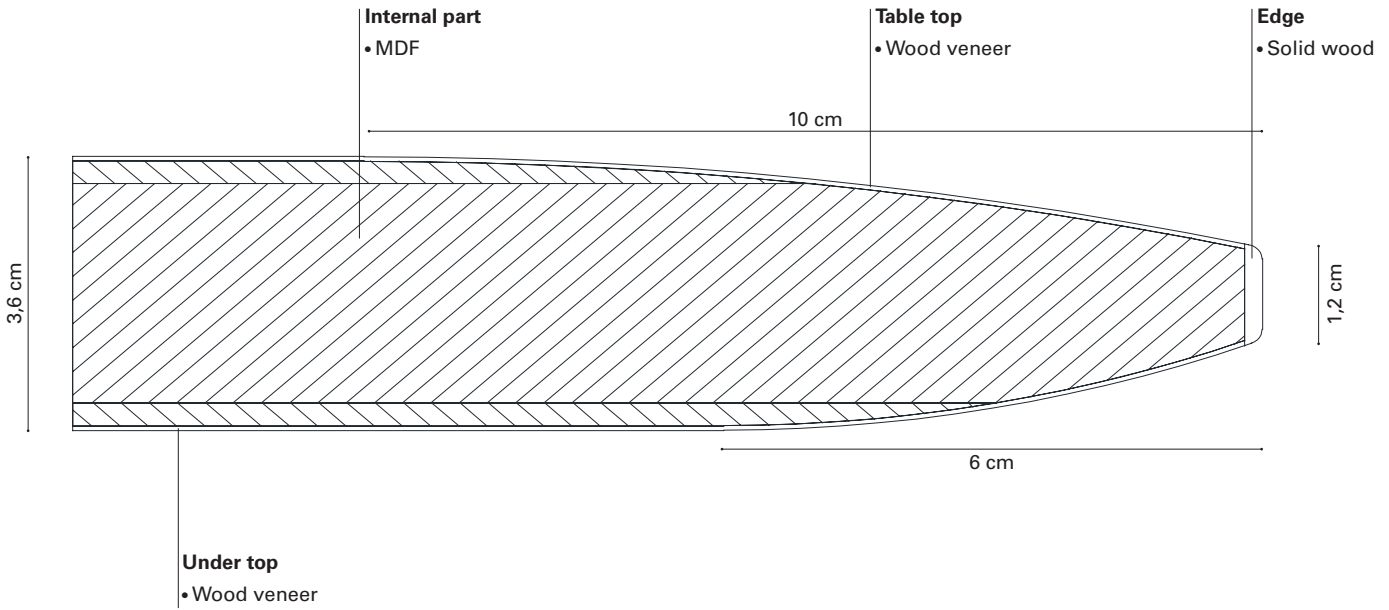
The Y-shaped steel legs are available in 3- or 4-stem versions. The latter in the four-stem version also acts as a connector, allowing large rectangular meeting tables to be created.

The legs, painted with epoxy powder or galvanised, are easily positioned and completely removable for transport or storage.

The Y table, available in round (with fixed legs or on castors), square and rectangular versions, in various sizes and heights, is distinguished by its five different types of edge and top finish.

Rectangular tables can be equipped with a central flip access, cable tray and flexible cable riser with a side zipper.

A EDGE



TABLES WITH WOODEN TOP
AND SHAPED EDGE
A TYPE

**Square tables with wooden top,
shaped edge type A
and 4-stem legs**

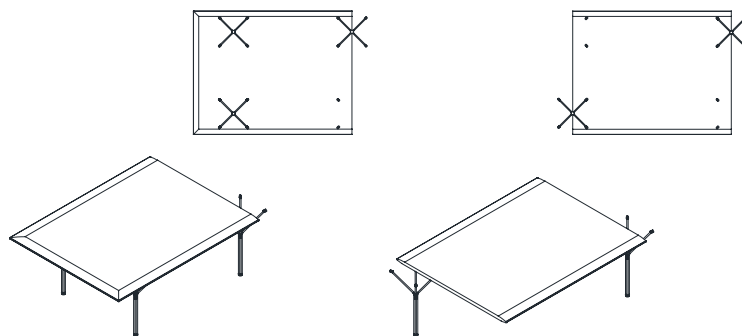
140x140xH74,5 cm
1N26NA0003 ..

160x160xH75,5 cm
1N26NA0001 ..

**Rectangular tables with wooden top,
shaped edge type A
and 4-stem legs**

240x140xH74,5 cm
1N26NA0015 ..

240x160xH74,5 cm
1N26NA0016 ..



TABLES WITH WOODEN TOP AND SHAPED EDGE A TYPE

Rectangular terminal modules with wooden top, shaped edge type A and n. 3 legs with 4 stems

Rectangular central modules with wooden top, shaped edge type A and n. 2 legs with 4 stems

197,1x140xH74,5 cm
1N26NA0017 ..

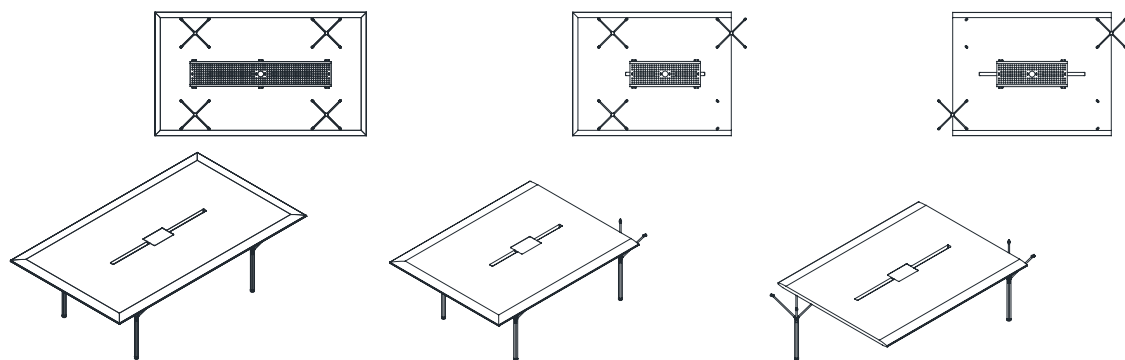
214,2x140xH74,5 cm
1N26NA0020 ..

257,1x140xH74,5 cm
1N26NA0018 ..

274,2x140xH74,5 cm
1N26NA0021 ..

257,1x160xH74,5 cm
1N26NA0019 ..

274,2x160xH74,5 cm
1N26NA0022 ..



TABLES WITH WOODEN TOP AND SHAPED EDGE A TYPE PRE-ARRANGED FOR ELECTRIFICATION

Rectangular tables with wooden top, shaped edge type A, central flip access door, cable tray, flexible cable riser with side zipper and 4-stem legs

Rectangular terminal modules with wooden top, shaped edge type A, central flip access door, cable tray, flexible cable riser with side zipper and n.3 legs with 4 stems

Rectangular central modules with wooden top, shaped edge type A, central flip access door, cable tray, flexible cable riser with side zipper and n.2 legs with 4 stems

240x140xH74,5 cm
1N26NA0024 ..

197,1x140xH74,5 cm
1N26NA0027 ..

214,2x140xH74,5 cm
1N26NA0030 ..

240x160xH74,5 cm
1N26NA0023 ..

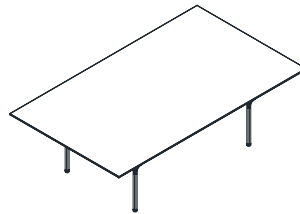
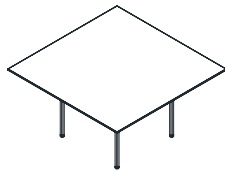
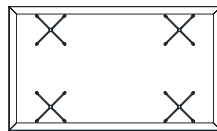
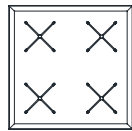
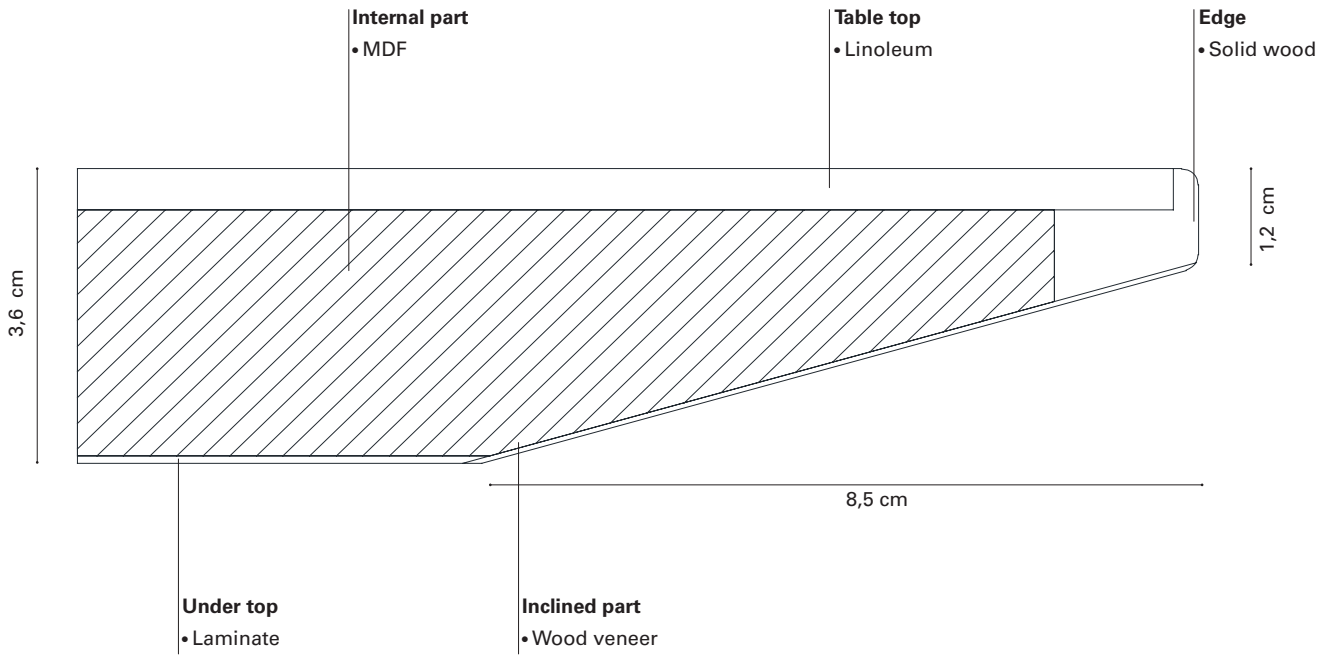
257,1x140xH74,5 cm
1N26NA0028 ..

274,2x140xH74,5 cm
1N26NA0031 ..

257,1x160xH74,5 cm
1N26NA0029 ..

274,2x160xH74,5 cm
1N26NA0032 ..

B EDGE



TABLES WITH LINOLEUM TABLE TOP AND SOLID WOOD EDGE B TYPE

Square tables with Linoleum table top, solid wood edge type B and 4-stem legs

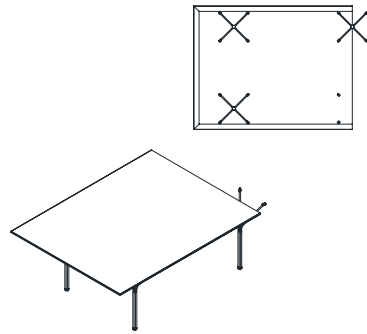
140x140xH74,5 cm
1N26NA0004 ..

160x160xH74,5 cm
1N26NA0002 ..

Rectangular tables with Linoleum table top, solid wood edge type B and 4-stem legs

240x140xH74,5 cm
1N26NA0037 ..

240x160xH74,5 cm
1N26NA0039 ..

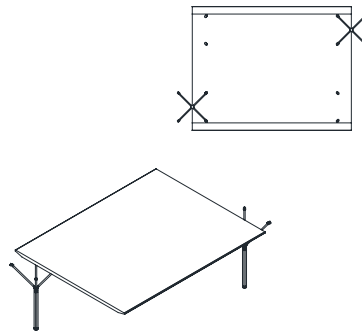


Rectangular terminal modules with Linoleum table top, solid wood edge type B and n. 3 legs with 4 stems

197,1x140xH74,5 cm
1N26NA0041 ..

257,1x140xH74,5 cm
1N26NA0043 ..

257,1x160xH74,5 cm
1N26NA0045 ..



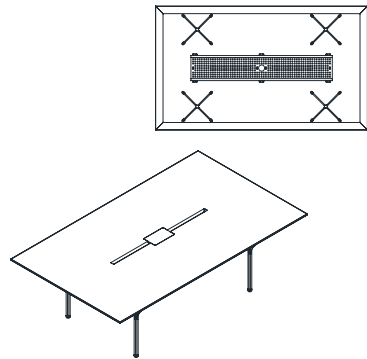
Rectangular central modules with Linoleum table top, solid wood edge type B and n. 2 legs with 4 stems

214,2x140xH74,5 cm
1N26NA0047 ..

274,2x140xH74,5 cm
1N26NA0049 ..

274,2x160xH74,5 cm
1N26NA0051 ..

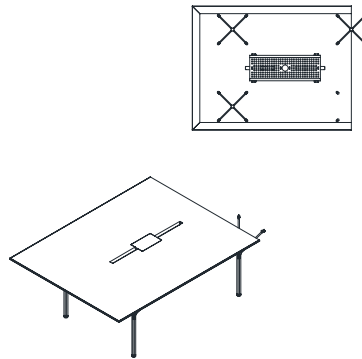
TABLES WITH LINOLEUM TABLE TOP AND SOLID WOOD EDGE B TYPE



Rectangular tables with Linoleum table top, solid wood edge type B, central flip access door, cable tray, flexible cable riser with side zipper and legs with 4 stems

240x140xH74,5 cm
1N26NA0038 ..

240x160xH74,5 cm
1N26NA0040 ..

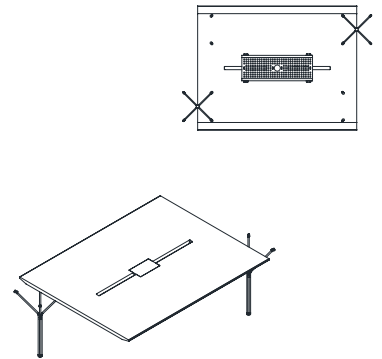


Rectangular terminal modules with Linoleum table top, solid wood edge type B, central flip access door, cable tray, flexible cable riser with side zipper and n.3 legs with 4 stems

197,1x140xH74,5 cm
1N26NA0042 ..

257,1x140xH74,5 cm
1N26NA0044 ..

257,1x160xH74,5 cm
1N26NA0046 ..



Rectangular central modules with Linoleum table top, solid wood edge type B, central flip access door, cable tray, flexible cable riser with side zipper and n.2 legs with 4 stems

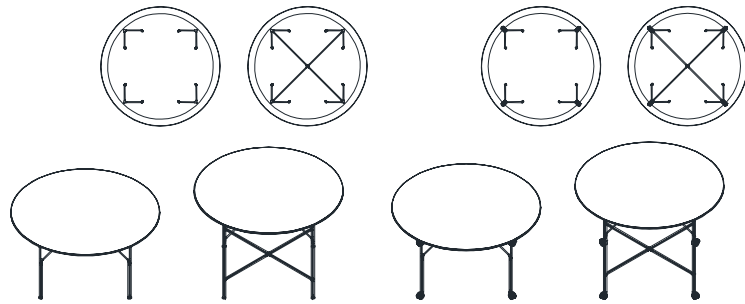
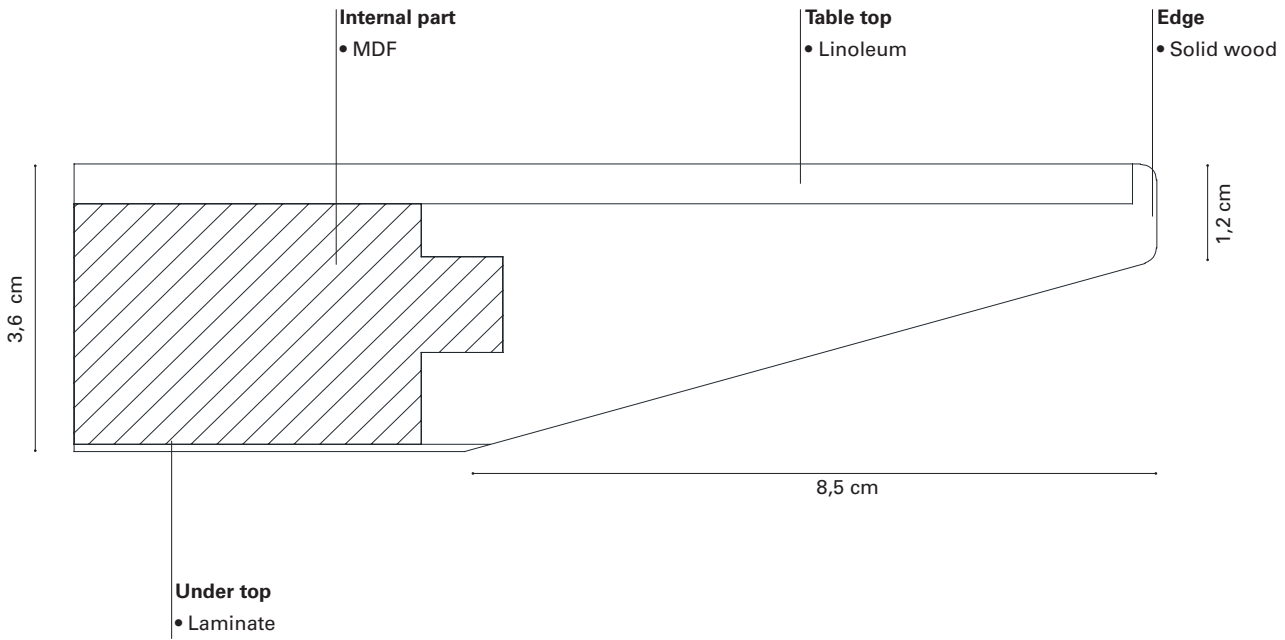
214,2x140xH74,5 cm
1N26NA0048 ..

274,2x140xH74,5 cm
1N26NA0050 ..

274,2x160xH74,5 cm
1N26NA0052 ..

TABLES WITH LINOLEUM TOP AND SOLID WOOD EDGE B TYPE PRE-ARRANGED FOR ELECTRIFICATION

C EDGE



TABLES WITH LINOLEUM TABLE TOPS AND SOLID WOOD EDGE C TYPE

Round tables with laminate table top, solid wood edge type C and 3-stem legs

150x150xH74,5 cm
1N26NA0011 ..

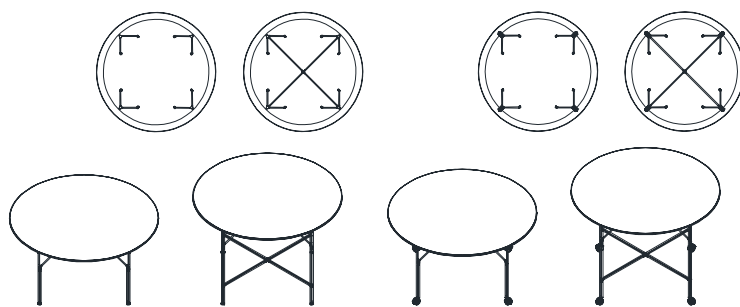
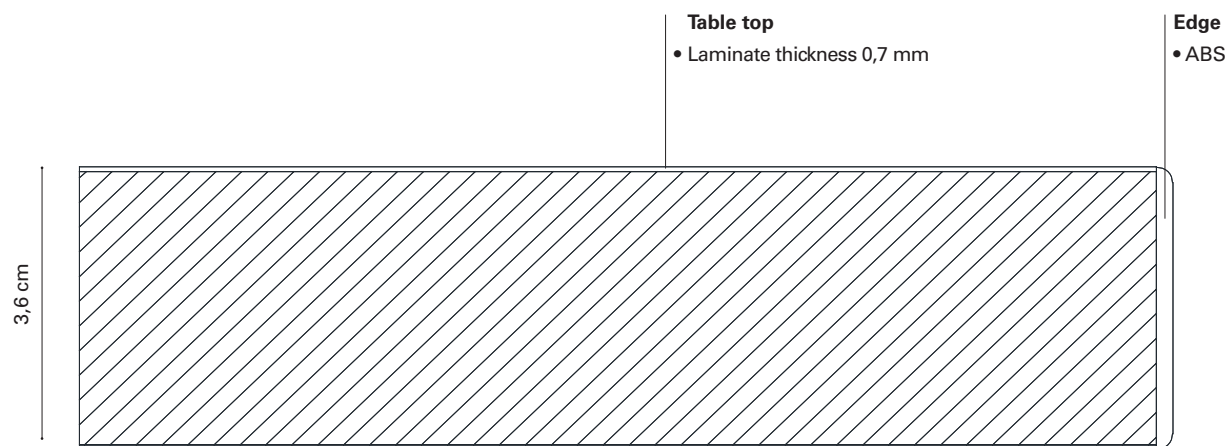
150x150xH101,1 cm
1N26NA0012 ..

Round tables with laminate table top, solid wood edge type C and 3-stem legs, on wheels

150x150xH79 cm
1N26NA0013 ..

150x150xH105,6 cm
1N26NA0014 ..

D EDGE



TABLES WITH LAMINATE TABLE TOPS AND STRAIGHT EDGE D TYPE

Round tables with laminate table top, straight edge type D and 3-stem legs

150x150xH74,5 cm
1N26NA0007 ..

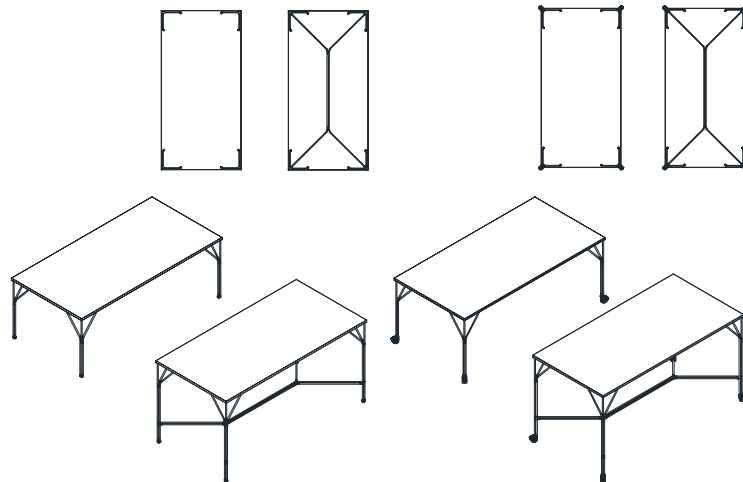
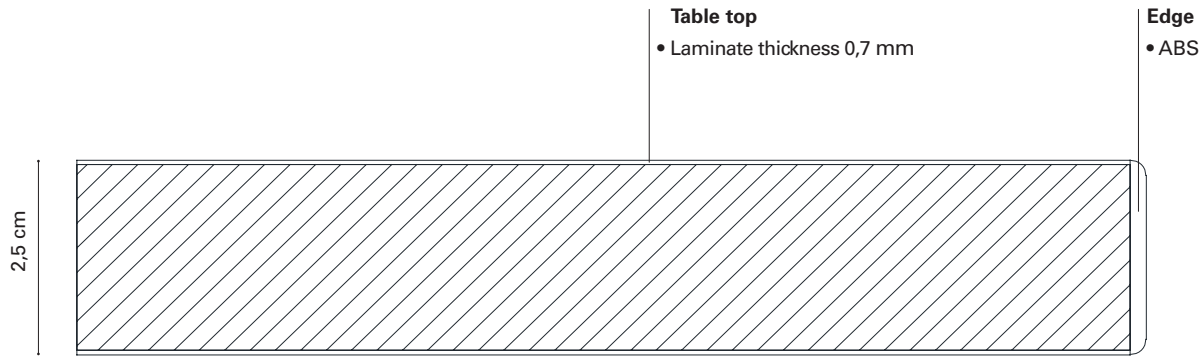
150x150xH101,1 cm
1N26NA0008 ..

Round tables with laminate table top, straight edge type D and 3-stem legs, on wheels

150x150xH79 cm
1N26NA0009 ..

150x150xH105,6 cm
1N26NA00010 ..

E EDGE



TABLES IN LAMINATE
AND THIN STRAIGHT EDGE
E TYPE

**Rectangular tables with laminate
table top, thin straight edge type E
and 3-stem legs**

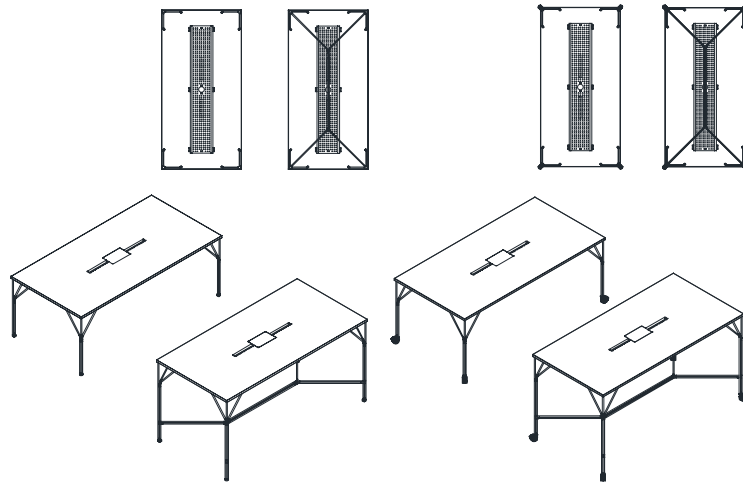
200x100xH74,5 cm
1N26NA0005 ..

200x100xH101,1 cm
1N26NA0006 ..

**Rectangular tables with laminate
table top, thin straight edge type E
and 3-stem legs, on wheels**

200x100xH79 cm
1N26NA0036 ..

200x100xH105,6 cm
1N26NA0035 ..



TABLES IN LAMINATE
AND THIN STRAIGHT EDGE
E TYPE
PRE-ARRANGED FOR
ELECTRIFICATION

**Rectangular tables with wooden
table top with central flip access,
cable tray, flexible cable riser with
side zipper and n.4 legs with 3-stem**

200x100xH74,5 cm
1N26NA0026 ..

200x100xH101,1
1N26NA0025 ..

**Rectangular tables with wooden
table top with central flip access,
cable tray, flexible cable riser with
side zipper and n.4 legs with 3-stem,
on wheels**

200x100xH79 cm
1N26NA0034 ..

200x100xH105,6
1N26NA0033 ..

TABLE TOP FOR TABLES WITH A EDGE FINISHES

Standard natural veneer (certified genuine wood from Europe-Canada-USA)



FR
Ash



RV
Natural Oak



NK
Canaletto Walnut straight-grained

TABLE TOPS FOR TABLES WITH B EDGE AND C EDGE FINISHES

Linoleum



U8
Pebble linoleum



UF
Black linoleum

SOLID WOOD EDGE FOR TABLES WITH B EDGE AND C EDGE FINISHES

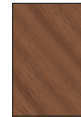
Standard natural veneer (certified genuine wood from Europe-Canada-USA)



FR
Ash



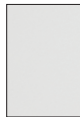
RV
Natural Oak



NK
Canaletto Walnut straight-grained

TABLE TOPS FOR TABLES WITH D EDGE AND E EDGE FINISHES

Laminate



S4
White laminate



GP
Platinum Grey laminate



LN
Black laminate

LEGS FINISHES

Epoxy powder coating



D4
Salsa painting



T2
Black painting

Galvanization



Z4
Tropical Yellow galvanization

For other finishes, please contact our Sales Department



ISO 9001



ISO 14001

UniFor has management system certified according to UNI EN ISO 9001 and UNI EN ISO 14001. The products are in conformance with the Italian decree law DLGS 81:2008 and with all of the principal regulations applicable to the various types of products.

The products described in this catalog are made with class E1 materials (low formaldehyde content) and are Greenguard® certified.