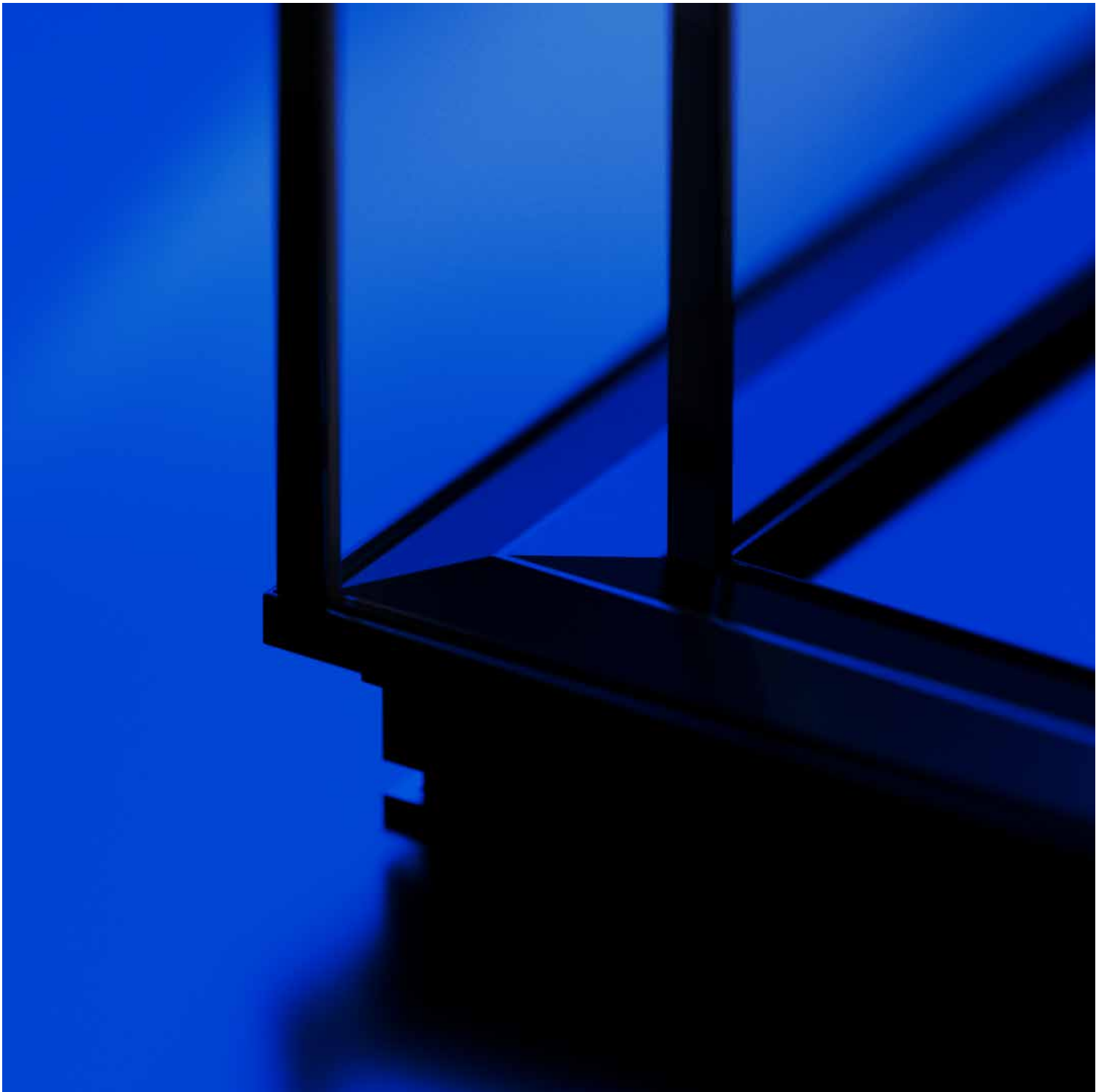


TDS
Technical Data Sheet

Release Date
2022.06



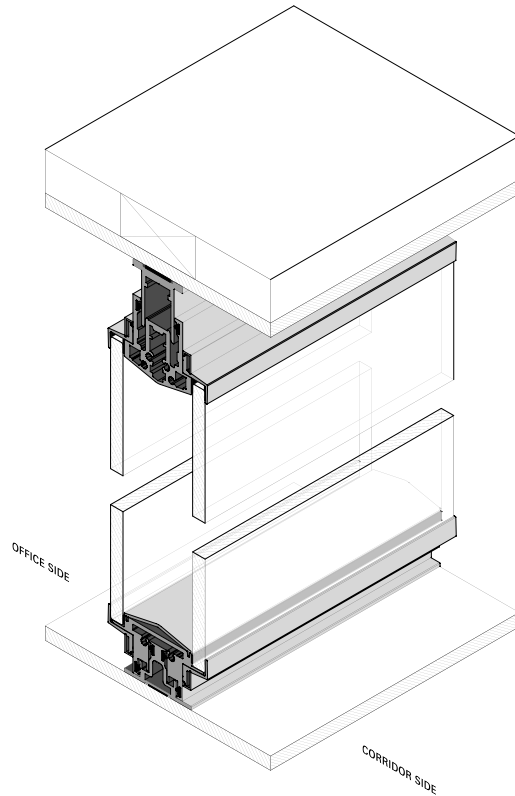
Specially designed in 2001 by Andrée Putman for the Paris-based business bank Natexis, AP is a complete, fluid and lightweight glass partition system featuring elegant profiles, characterised by an original graphic pyramid leitmotif.

The AP system consists of an aluminium profile structure and continuous solid or mixed glass panelling.

The invisible vertical H-shaped connecting profile makes AP a wall characterised by seamless visual continuity.

Flexible and essential, this system provides superlative soundproofing performance, enabling the efficient and functional division of work spaces, while also fulfilling all comfort needs for meeting areas and multifunctional areas with high privacy requirements.

MAIN FEATURES



PROFILES

- Profile thickness: 80 mm ($3\frac{1}{16}$ in)
- Lower profile tolerance: ± 5 mm ($\frac{3}{16}$ in)
- Tolerance of the upper profile h. 55 mm ($2\frac{3}{16}$ in): ± 10 mm ($\frac{13}{32}$ in)
- Tolerance of the upper profile h. 75 mm ($2\frac{15}{16}$ in): ± 15 mm ($\frac{19}{32}$ in)

GLASSES

- Stratified safety glass panels:
- 5 mm ($\frac{3}{16}$ in) + 5 mm ($\frac{3}{16}$ in) + 0,38 mm PVB film
5 mm ($\frac{3}{16}$ in) + 5 mm ($\frac{3}{16}$ in) + 0,38 mm PVB film (43 dB Rw)
 - 5 mm ($\frac{3}{16}$ in) + 5 mm ($\frac{3}{16}$ in) + 0,38 mm PVB film
5 mm ($\frac{3}{16}$ in) + 5 mm ($\frac{3}{16}$ in) + 0,5 mm acoustic PVB film (44 dB Rw)
 - 5 mm ($\frac{3}{16}$ in) + 5 mm ($\frac{3}{16}$ in) + 0,5 mm acoustic PVB film
5 mm ($\frac{3}{16}$ in) + 5 mm ($\frac{3}{16}$ in) + 0,5 mm acoustic PVB film (47 dB Rw)
 - 6 mm ($\frac{1}{4}$ in) + 6 mm ($\frac{1}{4}$ in) + 0,76 mm PVB film
6 mm ($\frac{1}{4}$ in) + 6 mm ($\frac{1}{4}$ in) + 0,76 mm PVB film
 - 6 mm ($\frac{1}{4}$ in) + 6 mm ($\frac{1}{4}$ in) + 0,5 mm acoustic PVB film
6 mm ($\frac{1}{4}$ in) + 6 mm ($\frac{1}{4}$ in) + 0,5 mm acoustic PVB film

HEIGHTS

- Maximum standard height: 3.000 mm ($118\frac{1}{8}$ in)
- Maximum height with fanlight: 5.000 mm ($196\frac{3}{4}$ in)

SOLID PARTITION

Consists of two 20 mm ($13/16$ in) thick melamine or laminate panels with a 40 mm ($13/16$ in) thick internal cavity for sound proofing material and cable trays.

- Overall thickness: 80 mm ($31/16$ in)

JOINTS AND HINGES

The AP partition system includes:

- Straight line, 2-way, 3-way, 4-way aluminium connecting elements
- Fixed and telescopic vertical profiles for wall mounting
- Profiles connecting the glass wall and plasterboard or other walls

DOORS

The AP system can be fitted with three types of aluminium profile framed double glass door:

- UP hinged door
- UA sliding door
- JS on AP sliding door

All doors are available in the single and double wing versions.

ACCESSORIES

AP is completed thanks to a series of special accessories, including:

- Flush handle with or without lock
- Vertical handle in different standard heights:
h.254 mm (10 in), 508 mm (20 in), 762 mm (30 in), 1841 mm (72½ in)
- Olivari lever handles, Raffaella, Lama or Lotus Q models
- Door set with European or American cylinder lock, or electric locks
- Integrable and customisable technical module thanks to the use of different devices and technologies

PROFILE FINISH

Galvanic treatment



BA
Polished aluminum



NA
Natural aluminum



Sample treatment

Epoxy powder coating



D7
Charcoal painting



VP
Platinum Grey painting



KS
Soft Black painting



T0
Ash painting



C7
Calce White painting



Sample painting

GLASS FINISH



VC
Transparent glass



CS
Frosted glass



Sample glass



CH
Extra-clear glass



HS
Frosted extra-clear glass

SOLID PARTITION FINISH

Wood



AS
Sycamore



RV
Natural Oak



Sample wood



NK
Straight-grained
Canaletto Walnut



5R
Thermo-treated Oak

Laminate



S4
White laminate



GP
Platinum Grey laminate



Sample laminate



LS
Sycamore laminate



RY
Oak laminate



ISO 9001



ISO 14001

UniFor has management system certified according to UNI EN ISO 9001 and UNI EN ISO 14001. The products are in conformance with the Italian decree law DLGS 81:2008 and with all of the principal regulations applicable to the various types of products.

The products described in this catalog are made with class E1 materials (low formaldehyde content) and are Greenguard® certified.