

TDS
Technical Data Sheet

Release Date
2022.06



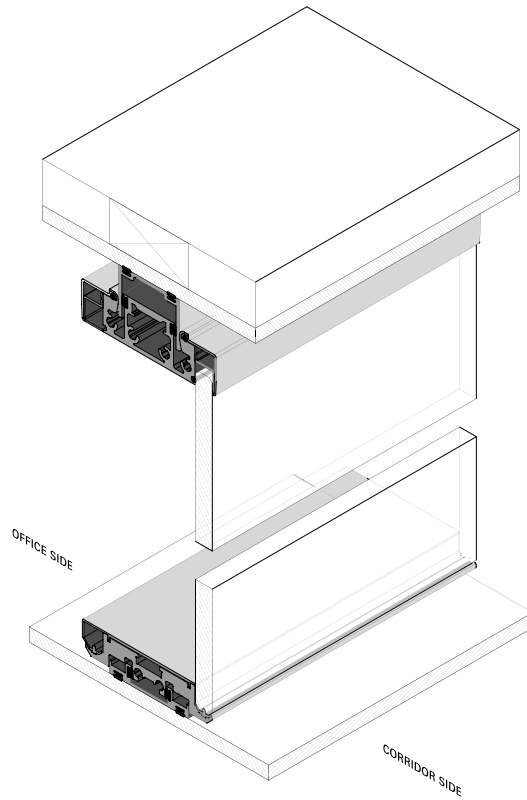
The DCA partition system was developed from a design by David Chipperfield in 2018, in response to the need to separate the collective and individual, formal and informal areas of the Korean cosmetics giant Amore Pacific, in an elegant and functional way.

DCA consists of an aluminium profile structure, solid or mixed glass panelling, and hinged or sliding glass doors.

The DCA partition system can be configured in the single or double glass version with insulating cavity, according to noise reduction requirements.

Profiles can be full-view or hide-away, with false ceiling and raised floor installation; the system seamlessly integrates with the architecture of spaces, enriching interiors with an immense visual lightness.

MAIN FEATURES



PROFILES

- Profile thickness: 100 mm (3⁷/₈ in)
- Tolerance of the lower profile h. 25 mm (2 in): +/- 3 mm (1/4 in)
- Tolerance of the upper profile h. 50 mm (2³/₁₆ in): +/- 10 mm (1¹/₂ in)

GLASSES

- Stratified safety glass panels:
- 6 mm (1/4 in) + 6 mm (1/4 in) + 0,76 mm PVB film
 - 6 mm (1/4 in) + 6 mm (1/4 in) + 0,5 mm acoustic PVB film

HEIGHTS

- Maximum standard height: 3.200 mm (126 in)
- Maximum height with fanlight: 5.000 mm (196³/₄ in)

SOLID PARTITION

Consists of two 22 mm (7/8 in) thick melamine or laminate panels with an internal cavity for sound proofing material and optional cable trays

- Overall thickness: 100 mm (37/8 in)

JOINTS AND HINGES

The DCA partition system includes:

- Straight line, 2-way, 3-way, 4-way aluminium connecting elements
- Fixed and telescopic vertical profiles for wall mounting
- Profiles connecting the glass wall and plasterboard or other walls

DOORS

The single glass DCA system can be fitted with an aluminium profile framed double glass door:

- HV hinged door

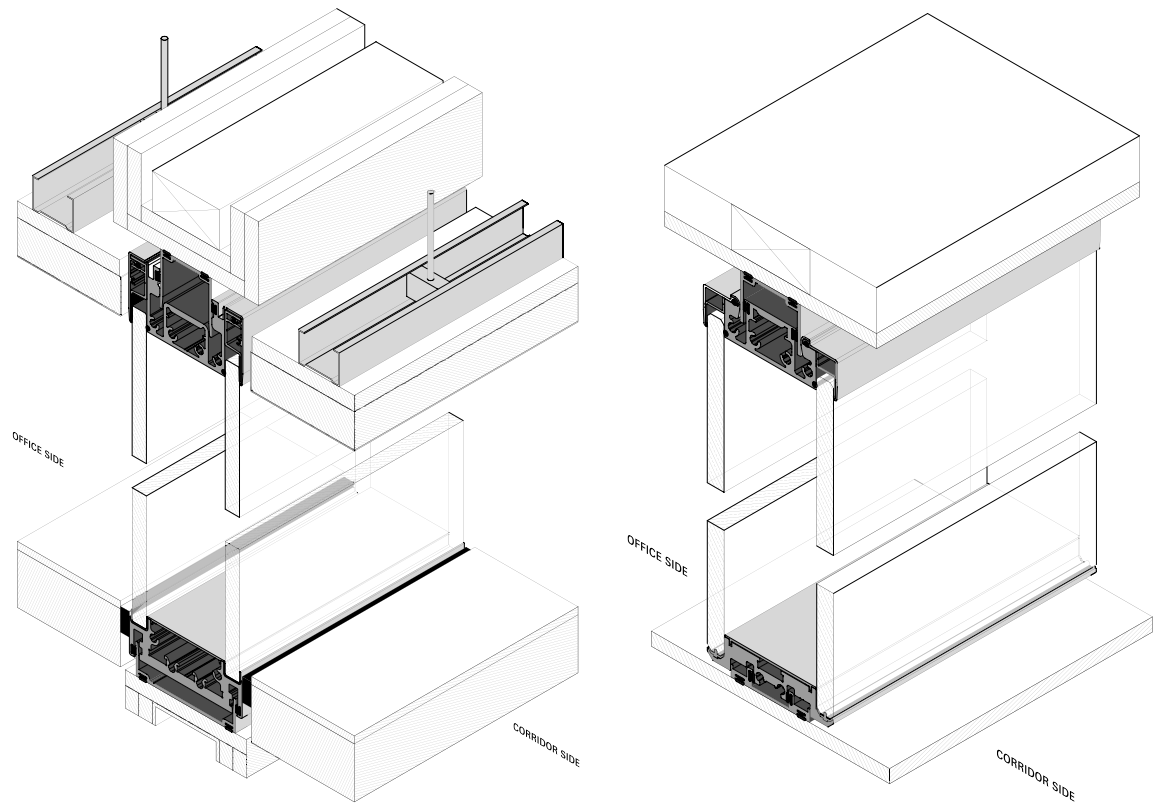
The door is available in the single and double wing versions.

ACCESSORIES

DCA is completed by a series of special accessories, including:

- Vertical handle in different standard heights:
h.254 mm (10 in), 508 mm (20 in), 762 mm (30 in), 1841 mm (72½ in)
- FSB lever handles, 1004 model, designed by David Chipperfield
- Olivari lever handles, Raffaella, Lama or Lotus Q models
- Door set with European or American cylinder lock, or electric locks
- Integrable and customisable technical module thanks to the use of different devices and technologies

MAIN FEATURES



INTEGRATED PROFILES

- Profile thickness: 100 mm (3⁷/₈ in)
- Tolerance of the lower profile h. 50 mm (2 in): +/- 5 mm (3¹/₁₆ in)
- Tolerance of the upper profile h. 70 mm (2⁷/₁₆ in): +/- 15 mm (1⁹/₃₂ in)

- Integrated upper profiles are available in two different versions:
- For inspectionable false ceilings
- For non-inspectionable false ceilings, an opening of 140 mm (5¹/₂ in) is required

VISIBLE PROFILES

- Profile thickness: 100 mm (3⁷/₈ in)
- Tolerance of the lower profile h. 25 mm (1 in): +/- 3 mm (1¹/₄ in)
- Tolerance of the upper profile h. 50 mm (2 in): +/- 10 mm (1³/₃₂ in)

GLASSES

- Stratified safety glass panels:
- 6 mm (1⁴/₄ in) + 6 mm (1⁴/₄ in) + 0,76 mm PVB film
 - 6 mm (1⁴/₄ in) + 6 mm (1⁴/₄ in) + 0,76 mm PVB film
 - 6 mm (1⁴/₄ in) + 6 mm (1⁴/₄ in) + 0,5 mm acoustic PVB film
 - 6 mm (1⁴/₄ in) + 6 mm (1⁴/₄ in) + 0,5 mm acoustic PVB film (48 dB Rw)

HEIGHTS

- Maximum standard heigh: 3.200 mm (126 in)
- Maximum height with fanlight: 5.000 mm (196³/₄ in)

SOLID PARTITION

Consists of two 22 mm ($\frac{7}{8}$ in) thick melamine or laminate panels with an internal cavity for sound proofing material and optional cable trays

- Overall thickness: 100 mm ($3\frac{7}{8}$ in)

JOINTS AND HINGES

The DCA partition system includes:

- Straight line, 2-way, 3-way, 4-way aluminium connecting elements
- Fixed and telescopic vertical profiles for wall mounting
- Profiles connecting the glass wall and plasterboard or other walls

DOORS

The double glass DCA system can be fitted with two types of aluminium profile framed double glass door:

- HV hinged door
- HS sliding door

All doors are available in the single and double wing versions.

ACCESSORIES

DCA is completed by a series of special accessories, including:

- Vertical handle in different standard heights:
h.254 mm (10 in), 508 mm (20 in), 762 mm (30 in), 1841 mm ($72\frac{1}{2}$ in)
- FSB lever handles, 1004 model, designed by David Chipperfield
- Olivari lever handles, Raffaella, Lama or Lotus Q models
- Door set with European or American cylinder lock, or electric locks
- Integrable and customisable technical module thanks to the use of different devices and technologies

PROFILE FINISH

Galvanic treatment



BA
Polished aluminum



NA
Natural aluminum



Sample treatment

Epoxy powder coating



D7
Charcoal painting



VP
Platinum Grey painting



KS
Soft Black painting



T0
Ash painting



C7
Calce White painting



Sample painting

GLASS FINISH



VC
Transparent glass



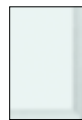
CS
Frosted glass



Sample glass



CH
Extra-clear glass



HS
Frosted extra-clear glass

SOLID PARTITION FINISH

Wood



AS
Sycamore



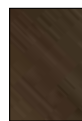
RV
Natural Oak



Sample wood



NK
Straight-grained
Canaletto Walnut



5R
Thermo-treated Oak

Laminate



S4
White laminate



GP
Platinum Grey laminate



Sample laminate



LS
Sycamore laminate



RY
Oak laminate



ISO 9001



ISO 14001

UniFor has management system certified according to UNI EN ISO 9001 and UNI EN ISO 14001. The products are in conformance with the Italian decree law DLGS 81:2008 and with all of the principal regulations applicable to the various types of products.

The products described in this catalog are made with class E1 materials (low formaldehyde content) and are Greenguard® certified.