

TDS  
Technical Data Sheet

Release Date  
2022.06



Designed in 2004 by Renzo Piano for the headquarters of Sole 24 Ore, RP is the culmination of a series of reflections developed by the architect together with UniFor, focused on the “thin wall” for offices spaces.

The “Le Mur Mince” project, launched in 1985, marked the début of this line of experimentation, focused on enhancing the immaterial qualities of work spaces, including lighting and acoustics.

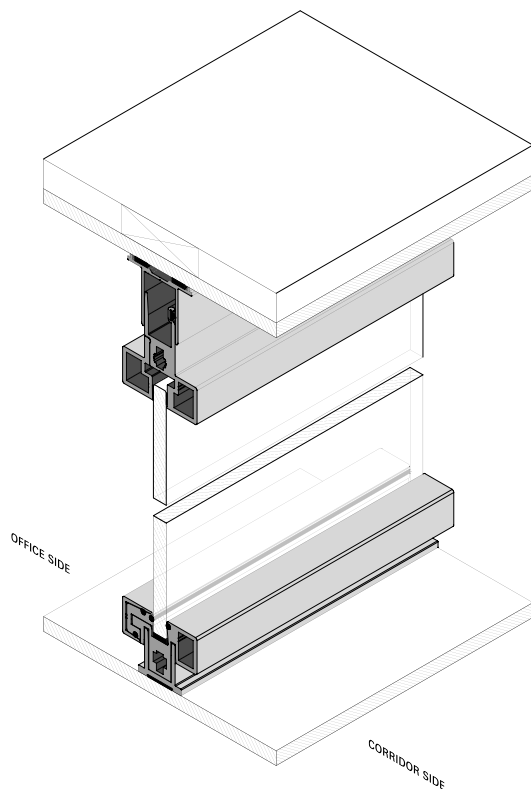
RP is a module system of full-height partitions with an aluminium profile structure and solid or mixed single or double glass cladding panels, completed by double glass or solid hinged and sliding doors.

The RP system exudes constructional rigour and formal lightness. It is designed and built to be integrated and extended over time.

RP is designed to enable the efficient and rational organisation of work spaces, including operative or executive offices, meeting halls and multifunctional areas.

---

MAIN FEATURES



---

PROFILES

- Profile thickness: 58 mm (2 $\frac{1}{4}$  in)
- Lower profile tolerance: -0 +7 mm ( $\frac{9}{32}$  in)
- Tolerance of the upper profile h. 65 mm (2 $\frac{7}{8}$  in): +/- 12 mm ( $\frac{1}{2}$  in)
- Tolerance of the upper profile h. 100 mm (3 $\frac{7}{8}$  in): +/- 23 mm (1 $\frac{1}{16}$  in)

---

GLASSES

- Stratified safety glass panels:
- 5 mm ( $\frac{3}{16}$  in) + 5 mm ( $\frac{3}{16}$  in) + 0,38 mm PVB film (34 dB Rw)
  - 5 mm ( $\frac{3}{16}$  in) + 5 mm ( $\frac{3}{16}$  in) + 0,5 mm acoustic PVB film
  - 6 mm ( $\frac{1}{4}$  in) + 6 mm ( $\frac{1}{4}$  in) + 0,76 mm PVB film
  - 6 mm ( $\frac{1}{4}$  in) + 6 mm ( $\frac{1}{4}$  in) + 0,5 mm acoustic PVB film (38 dB Rw)

---

HEIGHTS

- Maximum standard height: 3.000 mm (118 $\frac{1}{8}$  in)
- Maximum height with fanlight: 5.000 mm (196 $\frac{3}{4}$  in)

---

**SOLID PARTITION**

Consisting of a standard single glass wall, onto which two partial or full-height cladding panels are applied in melamine, wood or other surface finish

- Overall thickness: 58 mm (2¼ in)

---

**JOINTS AND HINGES**

The RP partition system includes:

- Straight line, 2-way, 3-way, 4-way aluminium connecting elements
- Fixed and telescopic vertical profiles for wall mounting
- Profiles connecting the glass wall and plasterboard or other walls

---

**DOORS**

The RP system can be fitted with three types of aluminium profile framed double glass door:

- JB hinged door (35 dB Rw)
- JF acoustic hinged door (38 dB Rw)
- JS sliding door

The system also includes a single glass sliding door, consisting of two sliding elements fitted onto a fixed one:

- RP Sincro

All doors are available in the single and double wing versions.

---

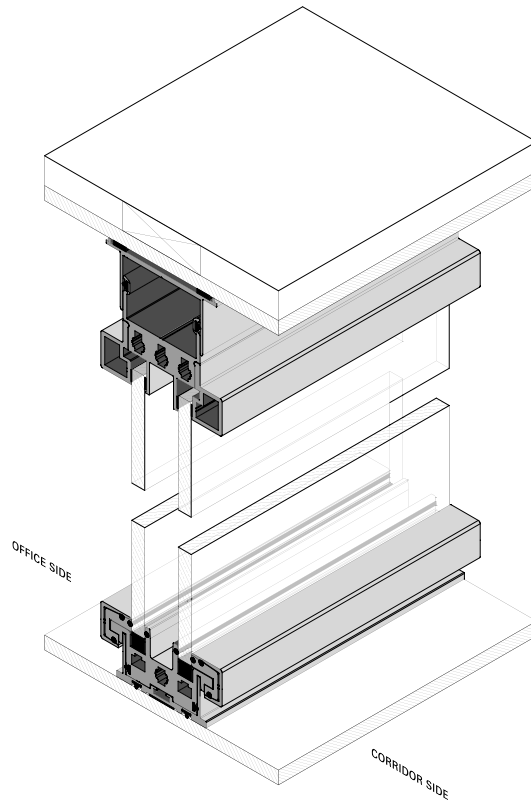
**ACCESSORIES**

RP is completed thanks to a series of special accessories, including:

- Vertical handle in different standard heights  
h.254 mm (10 in), 508 mm (20 in), 762 mm (30 in), 1841 mm (72½ in)
- Olivari lever handles, Raffaella, Lama or Lotus Q models
- Door set with European or American cylinder lock, or electric locks
- Integrable and customisable technical module thanks to the use of different devices and technologies

---

MAIN FEATURES



---

PROFILES

- Profile thickness: 94 mm (3<sup>3</sup>/<sub>4</sub> in)
- Lower profile tolerance: -0 +7 mm (9<sup>3</sup>/<sub>32</sub> in)
- Tolerance of the upper profile h. 65 mm (2<sup>7</sup>/<sub>8</sub> in): +/- 12 mm (1/2 in)
- Tolerance of the upper profile h. 100 mm (3<sup>7</sup>/<sub>8</sub> in): +/- 23 mm (1<sup>1</sup>/<sub>16</sub> in)

---

GLASSES

- Stratified safety glass panels:
- 5 mm (3<sup>1</sup>/<sub>16</sub> in) + 5 mm (3<sup>1</sup>/<sub>16</sub> in) + 0,38 mm PVB film  
5 mm (3<sup>1</sup>/<sub>16</sub> in) + 5 mm (3<sup>1</sup>/<sub>16</sub> in) + 0,38 mm PVB film (41 dB Rw)
  - 5 mm (3<sup>1</sup>/<sub>16</sub> in) + 5 mm (3<sup>1</sup>/<sub>16</sub> in) + 0,38 mm PVB film  
5 mm (3<sup>1</sup>/<sub>16</sub> in) + 5 mm (3<sup>1</sup>/<sub>16</sub> in) + 0,5 mm acoustic PVB film (44 dB Rw)
  - 5 mm (3<sup>1</sup>/<sub>16</sub> in) + 5 mm (3<sup>1</sup>/<sub>16</sub> in) + 0,5 mm acoustic PVB film  
5 mm (3<sup>1</sup>/<sub>16</sub> in) + 5 mm (3<sup>1</sup>/<sub>16</sub> in) + 0,5 mm acoustic PVB film (46 dB Rw)

---

HEIGHTS

- Maximum standard height: 3.000 mm (118<sup>1</sup>/<sub>8</sub> in)
- Maximum height with fanlight: 5.000 mm (196<sup>3</sup>/<sub>4</sub> in)

---

**SOLID PARTITION**

Consisting of a standard double glass wall, onto which two partial or full-height cladding panels are applied in melamine, wood or other surface finish

- Overall thickness: 94 mm (3¼ in)

---

**JOINTS AND HINGES**

The RP partition system includes:

- Straight line, 2-way, 3-way, 4-way aluminium connecting elements
- Fixed and telescopic vertical profiles for wall mounting
- Profiles connecting the glass wall and plasterboard or other walls

---

**DOORS**

The RP system can be fitted with three types of aluminium profile framed double glass door:

- JB hinged door (35 dB Rw)
- JF acoustic hinged door (38 dB Rw)
- JS sliding door

The system also includes a single glass sliding door, consisting of two sliding elements fitted onto a fixed one:

- RP Sincro

All doors are available in the single and double wing versions.

---

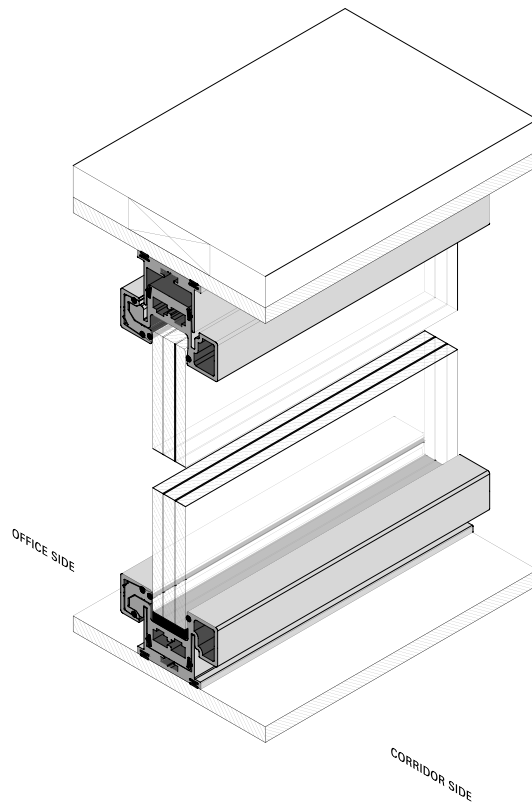
**ACCESSORIES**

RP is completed thanks to a series of special accessories, including:

- Vertical handle in different standard heights  
h.254 mm (10 in), 508 mm (20 in), 762 mm (30 in), 1841 mm (72½ in)
- Olivari lever handles, Raffaella, Lama or Lotus Q models
- Door set with European or American cylinder lock, or electric locks
- Integrable and customisable technical module thanks to the use of different devices and technologies

---

MAIN FEATURES



---

PROFILES

- Profile thickness: 70 mm (2<sup>7</sup>/<sub>16</sub> in)
- Lower profile tolerance: -0 +7 mm (9/32 in)
- Tolerance of the upper profile h. 65 mm (2<sup>7</sup>/<sub>8</sub> in): +/- 12 mm (1/2 in)
- Tolerance of the upper profile h. 100 mm (3<sup>7</sup>/<sub>8</sub> in): +/- 23 mm (1<sup>1</sup>/<sub>16</sub> in)

---

GLASSES

- Stratified safety glass panels:
- 8 mm (5/16 in) + 8 mm (3/16 in) + 8 mm (3/16 in) with 2 layers of 0,76 mm PVB film

---

HEIGHTS

- Maximum standard height: 3.000 mm (118<sup>1</sup>/<sub>8</sub> in)
- Maximum height with fanlight: 5.000 mm (196<sup>3</sup>/<sub>4</sub> in)



---

**SOLID PARTITION**

Consisting of a standard double glass wall, onto which two partial or full-height cladding panels are applied in melamine, wood or other surface finish

- Overall thickness: 70 mm (2<sup>13</sup>/<sub>16</sub> in)

---

**JOINTS AND HINGES**

The RP partition system includes:

- Straight line, 2-way, 3-way, 4-way aluminium connecting elements
- Fixed and telescopic vertical profiles for wall mounting
- Profiles connecting the glass wall and plasterboard or other walls

---

**DOORS**

The RP system can be fitted with three types of aluminium profile framed double glass door:

- JF acoustic hinged door (38 dB Rw)
- JS sliding door

All doors are available in the single and double wing versions.

---

**ACCESSORIES**

RP is completed thanks to a series of special accessories, including:

- Vertical handle in different standard heights  
h.254 mm (10 in), 508 mm (20 in), 762 mm (30 in), 1841 mm (72<sup>1</sup>/<sub>2</sub> in)
- Olivari lever handles, Raffaella, Lama or Lotus Q models
- Door set with European or American cylinder lock, or electric locks
- Integrable and customisable technical module thanks to the use of different devices and technologies

**PROFILE FINISH**

Galvanic treatment



**BA**  
Polished aluminum



**NA**  
Natural aluminum



Sample treatment

Epoxy powder coating



**D7**  
Charcoal painting



**VP**  
Platinum Grey painting



**KS**  
Soft Black painting



**T0**  
Ash painting



**C7**  
Calce White painting



Sample painting

**GLASS FINISH**



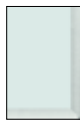
**VC**  
Transparent glass



**CS**  
Frosted glass



Sample glass



**CH**  
Extra-clear glass



**HS**  
Frosted extra-clear glass

**SOLID PARTITION FINISH**

Wood



**AS**  
Sycamore



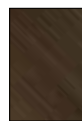
**RV**  
Natural Oak



Sample wood



**NK**  
Straight-grained  
Canaletto Walnut



**5R**  
Thermo-treated Oak

Laminate



**S4**  
White laminate



**GP**  
Platinum Grey laminate



Sample laminate



**LS**  
Sycamore laminate



**RY**  
Oak laminate



ISO 9001



ISO 14001

UniFor has management system certified according to UNI EN ISO 9001 and UNI EN ISO 14001. The products are in conformance with the Italian decree law DLGS 81:2008 and with all of the principal regulations applicable to the various types of products.

The products described in this catalog are made with class E1 materials (low formaldehyde content) and are Greenguard® certified.